

# Technical data sheet

Product features



## Bain marie trolley electric GN 3-1/1 controllers on longer side with rack

<b>Model</b>	<b>SAP Code</b>	00000078
--------------	-----------------	----------

- Drain: Yes
- Material: AISI 304 top plate, AISI 430 cladding
- Protection of controls: IPX4
- Maximum device temperature [°C]: 90

<b>SAP Code</b>	00000078	<b>Power electric [kW]</b>	2.100
<b>Net Width [mm]</b>	1165	<b>Loading</b>	230 V / 1N - 50 Hz
<b>Net Depth [mm]</b>	675	<b>Number of GN / EN</b>	3
<b>Net Height [mm]</b>	905	<b>GN / EN size in device</b>	GN 1/1
<b>Net Weight [kg]</b>	54.00	<b>GN device depth</b>	200

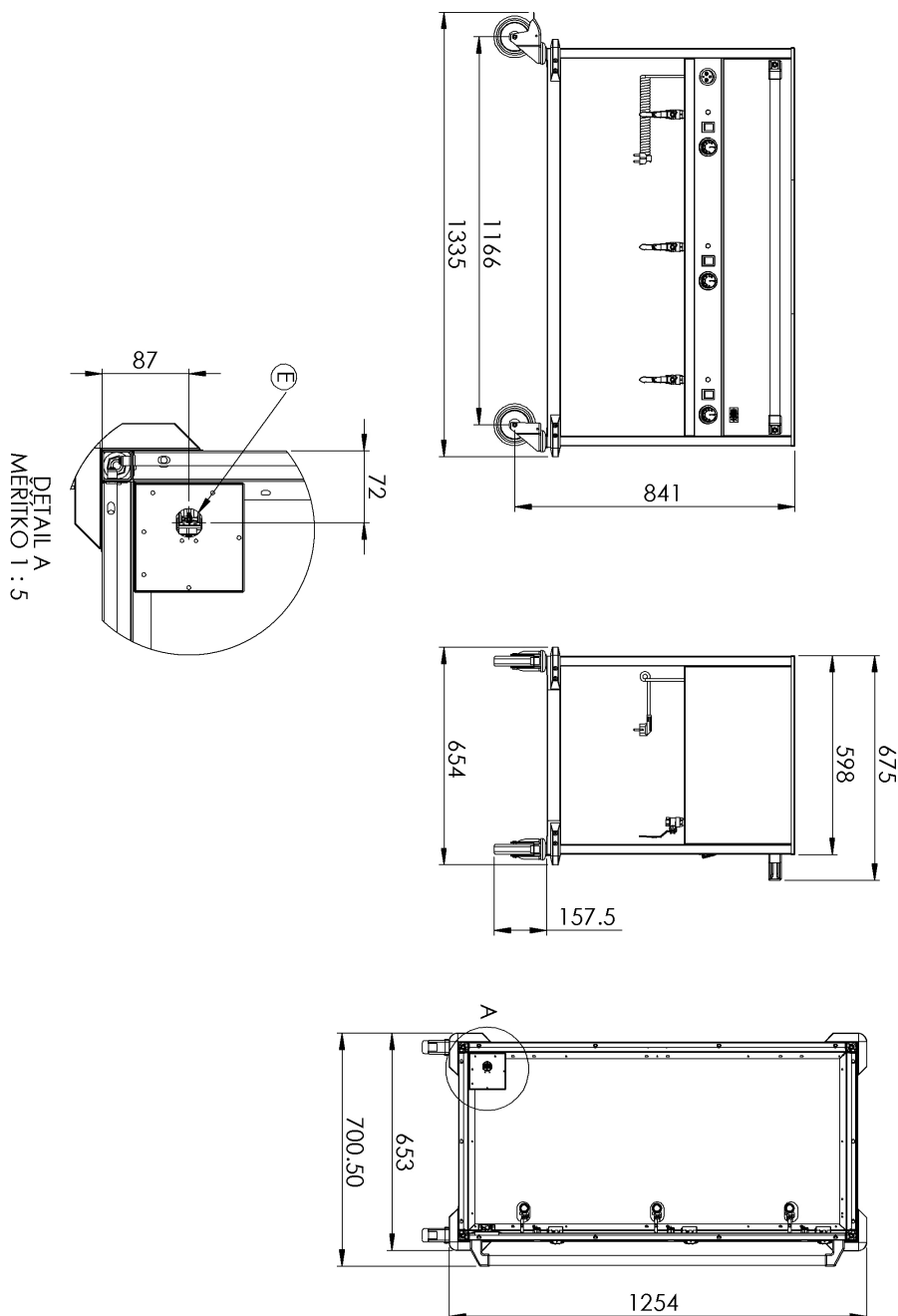
# Technical data sheet

Technical drawing



Bain marie trolley electric GN 3-1/1 controllers on longer side with rack

Model	SAP Code	00000078
-------	----------	----------



# Technical data sheet

## Product benefits



### Bain marie trolley electric GN 3-1/1 controllers on longer side with rack

<b>Model</b>	<b>SAP Code</b>	00000078
--------------	-----------------	----------

1

#### Shelf

- greater strength
- more stability
  - storage space

2

#### Braked wheels

- easy to control
- more comfort for the operator
  - safety
  - stability

3

#### Deep-draft bathtubs

- basins without sharp transitions, edges and corners
- easy maintenance
  - perfect sanitation

4

#### Controlling each bath separately

- variability of use
- possibility to keep different foods at different temperatures

5

#### All-stainless steel construction

- variability of use
- perfect sanitation
  - long service life

6

#### Drain valve under the bathtub

- safer placement of the drain valve
- valve positioning prevents unintentional contact and possible scalding

7

#### Handrail

- handle made of robust stainless steel tube  
possibility of placement on the shorter or longer side
- easy handling of the dispensing tub

# Technical data sheet

Technical parameters



## Bain marie trolley electric GN 3-1/1 controllers on longer side with rack

Model	SAP Code	00000078
-------	----------	----------

**1. SAP Code:**

00000078

**2. Net Width [mm]:**

1165

**3. Net Depth [mm]:**

675

**4. Net Height [mm]:**

905

**5. Net Weight [kg]:**

54.00

**6. Gross Width [mm]:**

755

**7. Gross depth [mm]:**

1310

**8. Gross Height [mm]:**

1010

**9. Gross Weight [kg]:**

55.00

**10. Device type:**

Electric unit

**11. Construction type of device:**

On wheels

**12. Power electric [kW]:**

2.100

**13. Loading:**

230 V / 1N - 50 Hz

**14. Protection of controls:**

IPX4

**15. Device color:**

Stainless steel

**16. Material:**

AISI 304 top plate, AISI 430 cladding

**17. Maximum device temperature [°C]:**

90

**18. Minimum device temperature [°C]:**

30

**19. Adjustable feet:**

No

**20. Drain:**

Yes

**21. Number of GN / EN:**

3

**22. GN / EN size in device:**

GN 1/1

**23. GN device depth:**

200